



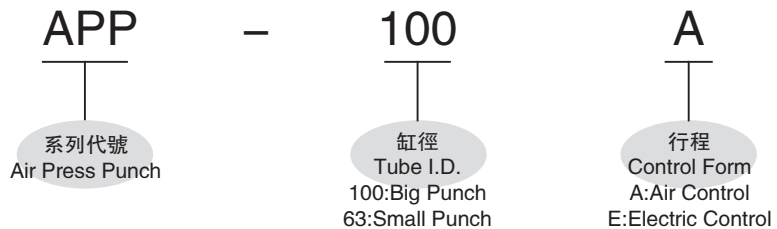
空壓沖床系列：

- 1、採用氣壓缸做動力執行元件，運動穩定，可靠。
- 2、工作過程無衝擊，可極大地提高工作效率、加工質量和模具壽命。
- 3、雙手按鈕操作，安全性高；有腳踏開關備用，釋放雙手提高了工作效率。
- 4、自動沖床周期時間可調，電子控制可自動連續沖壓，用於機電一體化領域。
- 5、在工作過程中，不可把手伸入沖床的工作區。

Air Press Punch Series:

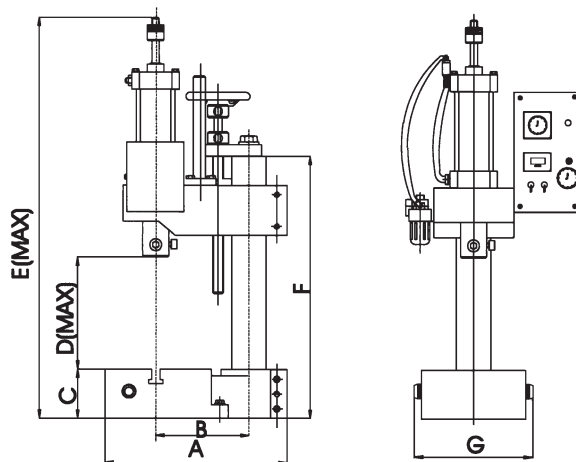
1. Use cylinder as power executive unit, moving smoothly and reliable.
2. No strike in running, the quality of products and the service life of the die mould improved greatly.
3. Operated with pushbutton by hands so that improve the safety. With foot pedal switch standby, work efficiency improved and hands free.
4. The cycle of auto-punch can be adjusted and it can work automatically and continuously through electronic controller, applicable to the field of electromechanical integration.
5. When working, don't put your hands into the range of punch stroke.

訂購代號 / Ordering Code



規格 Type	出力 Strength	衝程 Stroke	氣缸內徑 Bore Of Cylinder	配管口徑 Strength	氣缸內徑 Stroke Regulated	控制形式 Control Form
APP-100A	500kg	100mm	100mm	3/8PT	30mm	手拉、腳踏 Hand Control, Foot Pedal
APP-63A	200kg	100mm	63mm	1/4PT	30mm	
APP-100E	500kg	100mm	100mm	3/8PT	30mm	自動、按鈕、腳踏 Auto, Push-Button, Foot Pedal
APP-63E	200kg	100mm	63mm	1/4PT	30mm	

外觀尺寸 / Overall Dimension

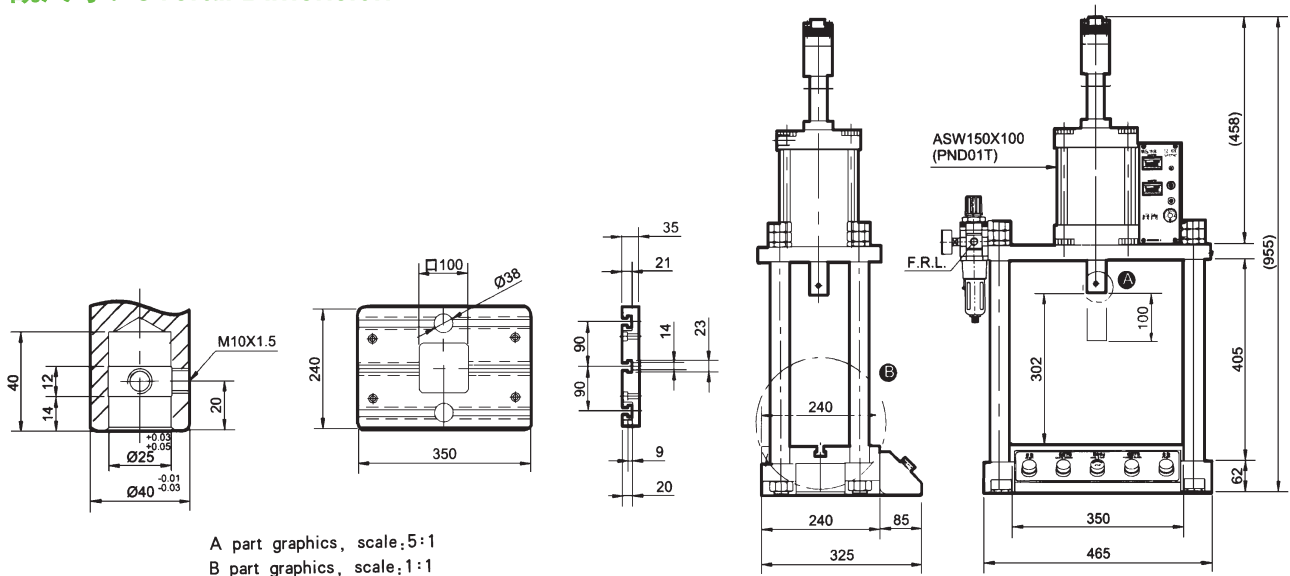


內徑 Inner Diameter	A	B	C	D	E	F	G
APP-100A	380mm	170mm	90mm	230mm	850mm	550mm	195mm
APP-63A	265mm	120mm	80mm	200mm	700mm	380mm	170mm
APP-100E	380mm	170mm	90mm	230mm	850mm	550mm	195mm
APP-63E	285mm	120mm	80mm	200mm	700mm	380mm	170mm



規格 Type	APP-125E	APP-160E
最大工作高度 (可調) Max Working Height(Adjustable)	302mm	
氣缸規格 Cylinder Type	Φ125x100mm	Φ160x100mm
氣缸可調行程 Cylinder Regulated Stroke	Standard 25mm Select 50mm	
工作臺面積 Working Area	350x240mm	
電源 Power	AC110/220V 50/60Hz	
操作壓力 Operating Pressure	0.4-0.7MPa	

外觀尺寸 / Overall Dimension



型號 Model	APP-Φ125				APP-Φ160			
工作壓力 Working Pressure	0.4MPa	0.5MPa	0.6MPa	0.7MPa	0.4MPa	0.5MPa	0.6MPa	0.7MPa
受力面積 Pressed Area	122.7cm ²	122.7cm ²	122.7cm ²	122.7cm ²	201cm ²	201cm ²	201cm ²	201cm ²
理論出力 Theoretical Strength	491kg	615kg	736kg	859kg	804kg	1005kg	1206kg	1407kg