

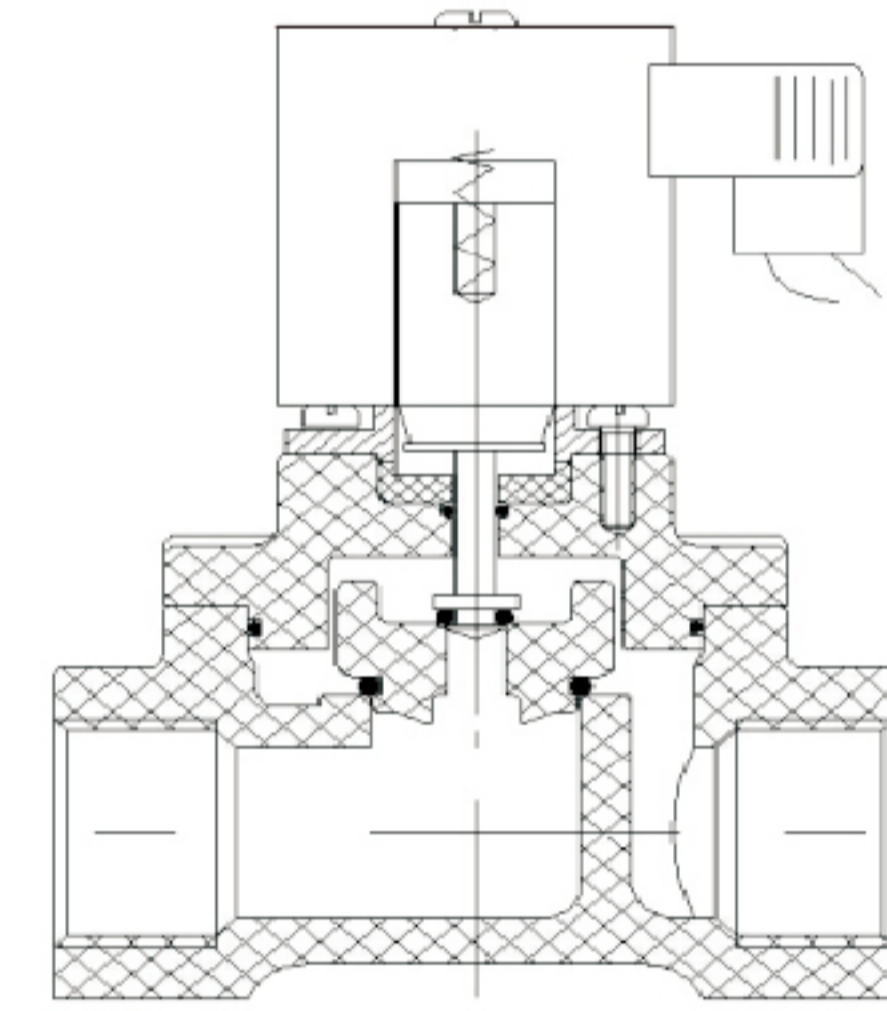
- Characteristic** 1.Isolation piston structure,longer life time.  
2.UPVC/CPVC/PTFE anti corrosive material,totally isolated from media
- Medium** Alkali, Acid and salt etc
- Applied in** UPVC : sulfuric acid 、hydrochloric acid with concentrations of 10% · Fluid TEMP. < 50°C  
CPVC : sulfuric acid with concentration < 60% and hydrochloric acid .Fluid TEMP. < 95°C
- Pressure** 0.01~0.6 MPa
- Port Size** 1/2" , 3/4" , 1" , 1-1/4" , 1-1/2" , 2"
- Port Thread** G, FLANGE
- Orifice (mm)** 15 、 20 、 25 、 32 、 40 、 50 、 65
- Voltage** DC24V 、 AC220V 、 AC110V
- Tolerance** ±10%
- Coils** FC1B · 15W (AC) · 16W (DC)  
FE1B · start at 200W, maintain at 5W (AC), 28W (DC)  
FF1B · 350W, maintain at 10W (AC), start at 75W, maintain at 25W (DC)
- Material** Body - UPVC/CPVC  
Valve stem-FTFE  
Seal - EPDM 、 Viton 、 special  
Armature Tube - SUS304  
Plunger - 430F  
Stop - 430F  
Springs - SUS304



FCFP31-15



FCFP31-40



### FCFP31 Normally Closed · with Coil FC1B/FE1B/FF1B

Valve Body	Port Size	Orifice (mm)	Cv	Min Pressure	Max Pressure		Seals Material	Body Material	Coil
					AC	DC			
FCFP3115 X X X	1/2"	15	4.5	0.01MPa	0.6MPa	0.6MPa	EPDM VITON	UPVC	FC1B
FCFP3120 X X X	3/4"	20	9.3	0.01MPa	0.6MPa	0.6MPa			FC1B
FCFP3125 X X X	1"	25	12	0.01MPa	0.6MPa	0.6MPa			FC1B
FCFP3132 X X X	1 1/4"	32	24	0.01MPa	0.6MPa	0.6MPa			FE1B
FCFP3140 X X X	1 1/2"	40	29	0.01MPa	0.6MPa	0.6MPa			FE1B
FCFP3150 X X X	2"	50	48	0.01MPa	0.6MPa	0.6MPa			FF1B
FCFP3115 X X X	F1/2"	15	4.5	0.01MPa	0.6MPa	0.6MPa		CPVC	FC1B
FCFP3120 X X X	F3/4"	20	9.3	0.01MPa	0.6MPa	0.6MPa			FC1B
FCFP3125 X X X	F1 1/4"	25	12	0.01MPa	0.6MPa	0.6MPa			FC1B
FCFP3132 X X X	F1 1/2"	32	24	0.01MPa	0.6MPa	0.6MPa			FE1B
FCFP3140 X X X	F2"	40	29	0.01MPa	0.6MPa	0.6MPa			FE1B
FCFP3150 X X X	F2"	50	48	0.01MPa	0.6MPa	0.6MPa			FF1B

### Determine Valve Body Code

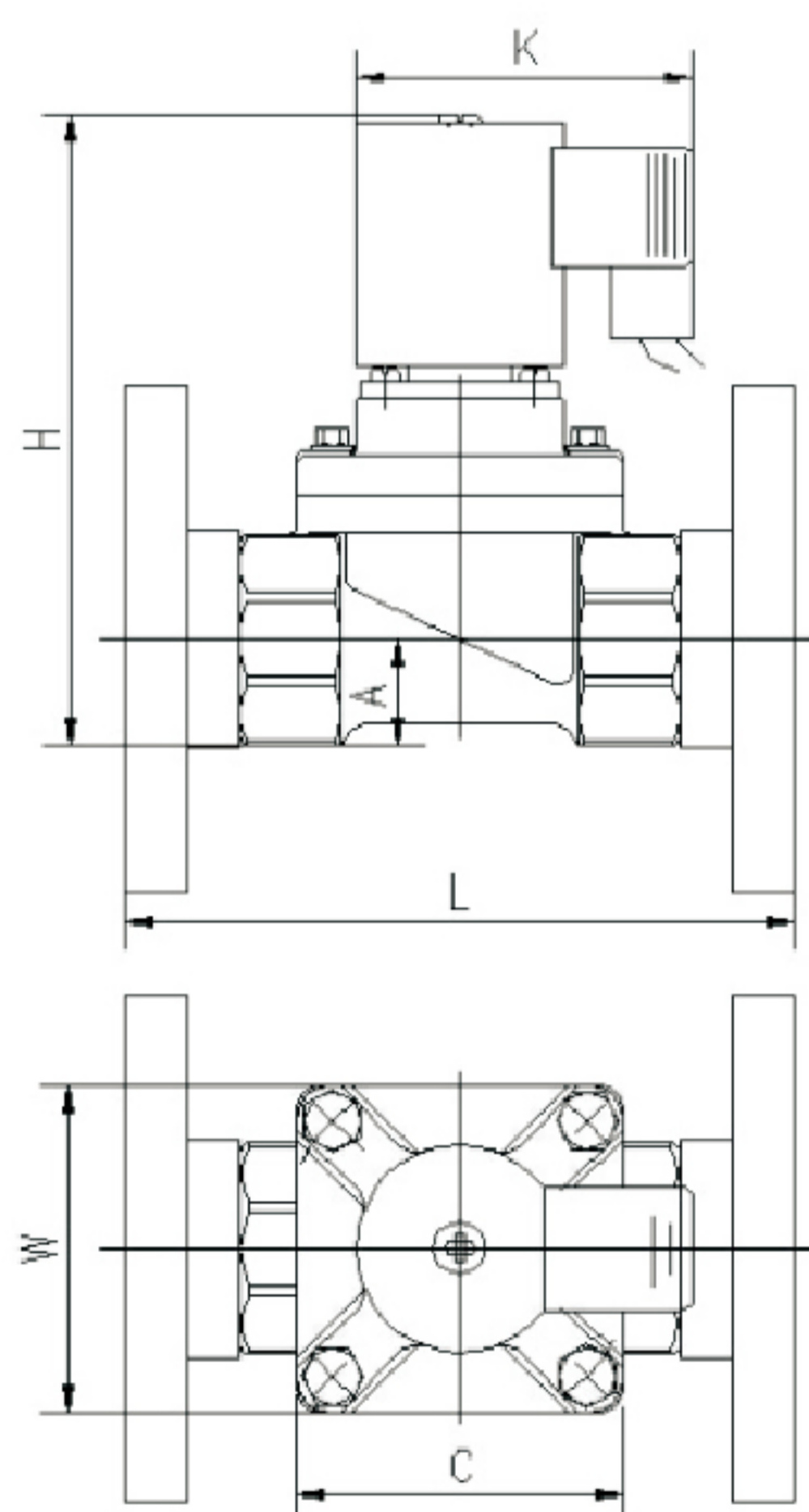
Type	Orifice mm	Port Thread	Body	Seal	Coils	Voltage
FCFP31	15 、 20 、 25 、 32 40 、 50	G - G / BSP F - Fanlg	U:UPVC C:CPVC	V : VITON E : EPDM Special	FC1B FE1B FF1B	1 、 AC220V 2 、 DC24V

Example : FCFP31 15GUV-FC1B1  
FCFP31 series, orifice 15MM, G 1/2" UPVC body, VITON seal, coil FC1B, AC220V, DIN

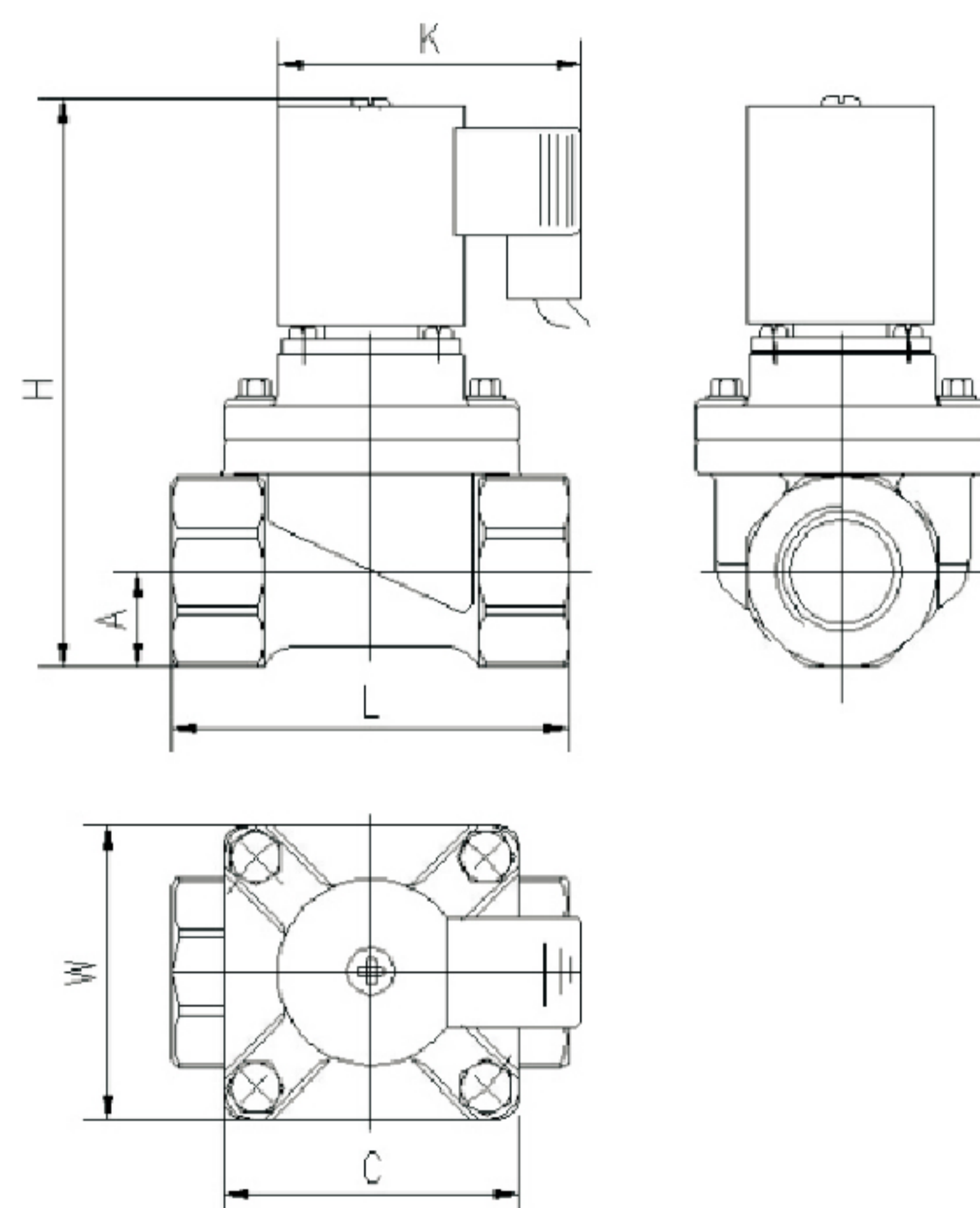
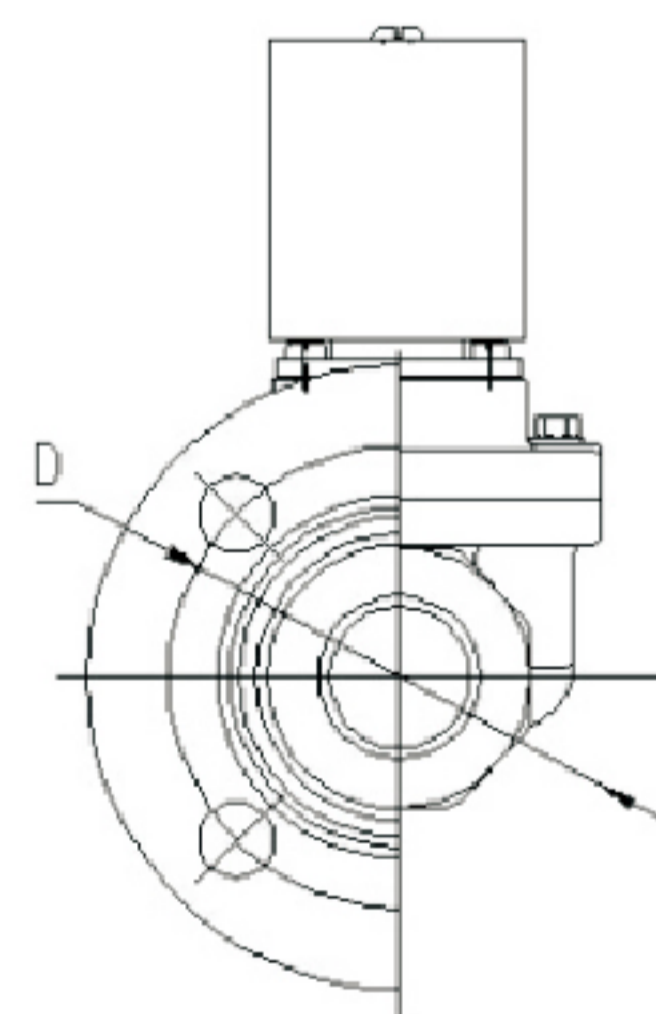
### Dimension

Orifice mm	Port size	Cv	Medium Temp	Pressure Mpa	Voltage	Dimension ( mm )						
						L	H	W	C	A	K	Flange Centre Spur D
15	G1/2	4.2	1、UPVC ABS: <= 50°C 2、CPVC: <= 95°C	Flange 0.6 10	AC220V/50 DC24V Other voltage is on request	74	132	63.5	63.5	16	92	Φ64
	128											
20	G1/4	5.8				100	147	74	74	26	92	Φ85
	140											
25	G1	10				120	194	94	94	30	94	Φ100
	195											
32	G1½	15.2				130	200	94	94	32.5	94	Φ110
	205											
40	G1	21				172	225	155	155	42	94	Φ125
	268											
50	G2	40				190	-	-	-	50	-	Φ145
	290											
65	G2 ½	52.6										
	Flange											

### Dimension (mm)



FCFP31-F



FCFP31