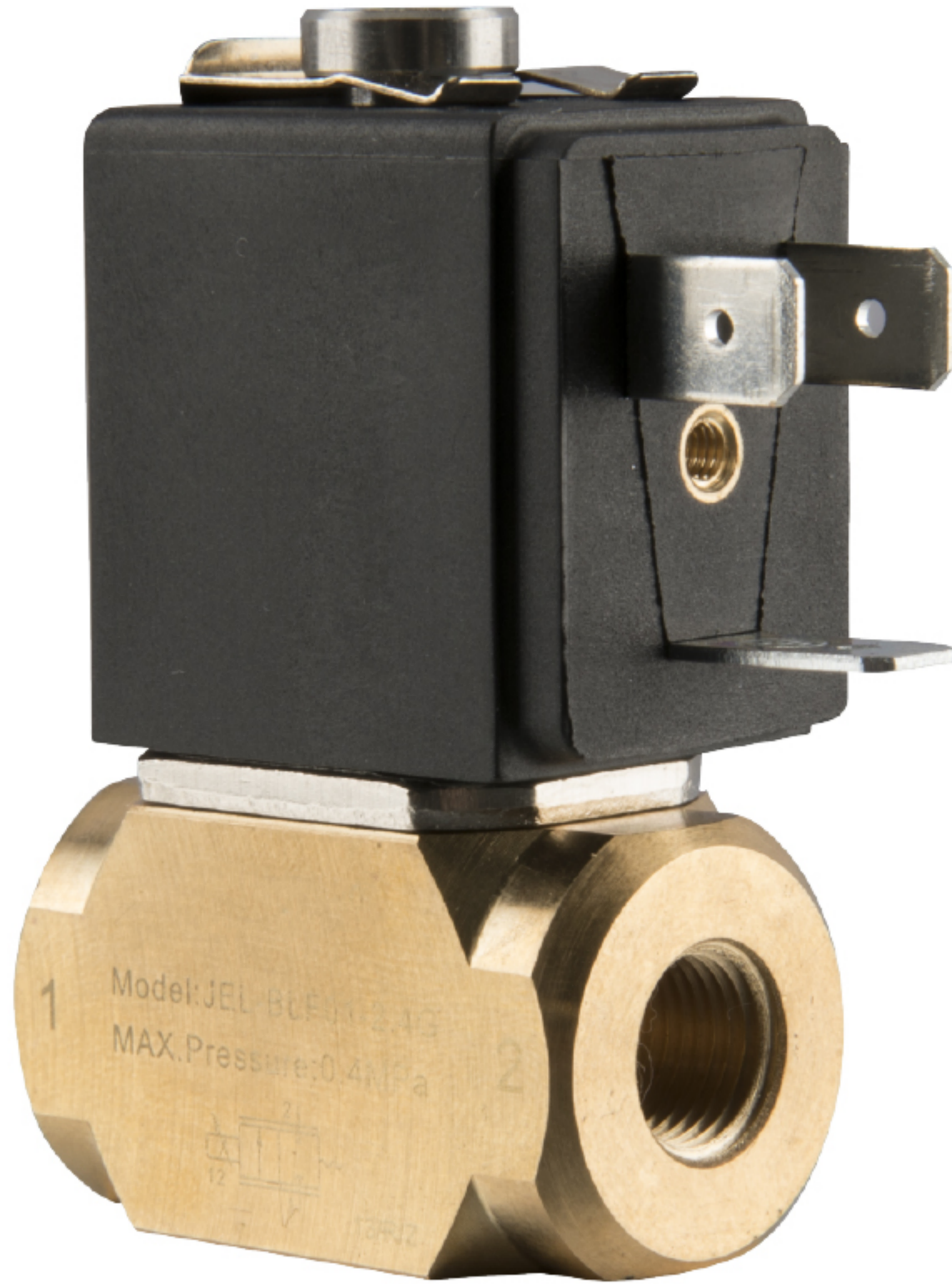
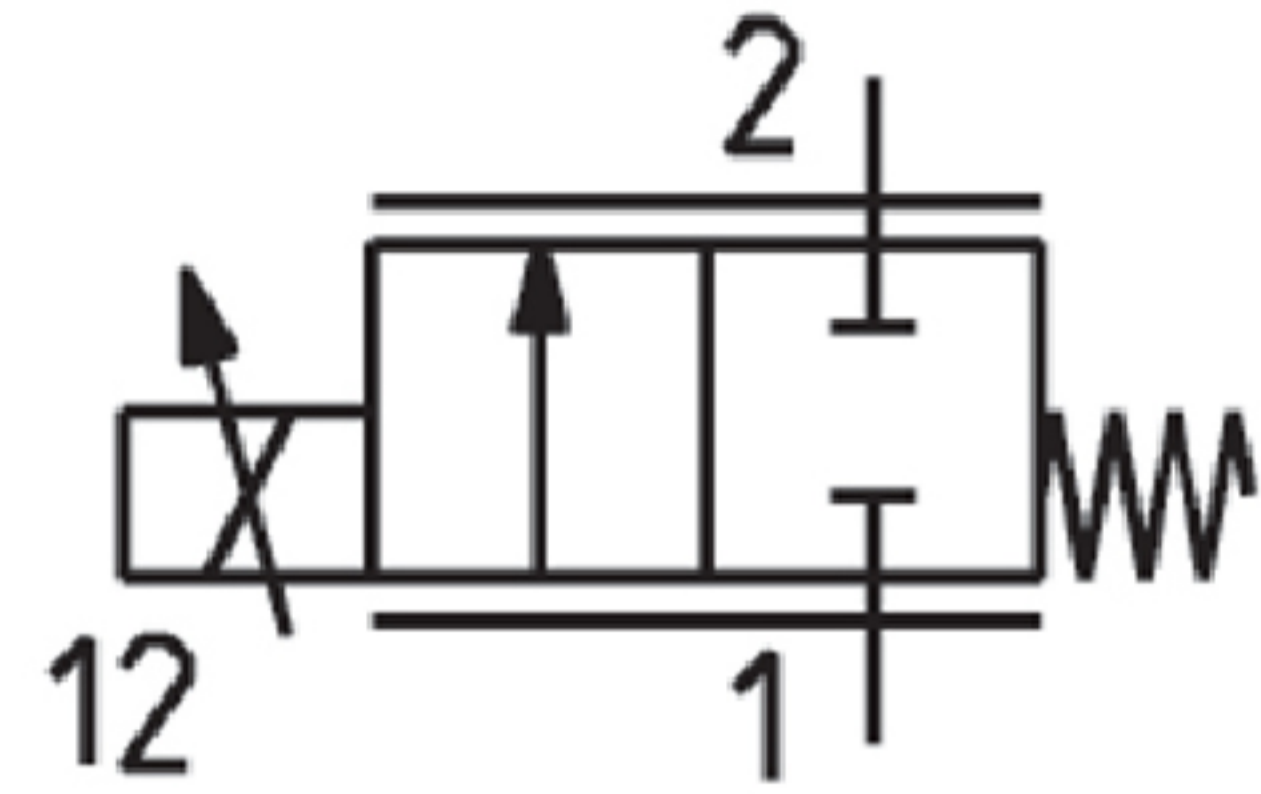


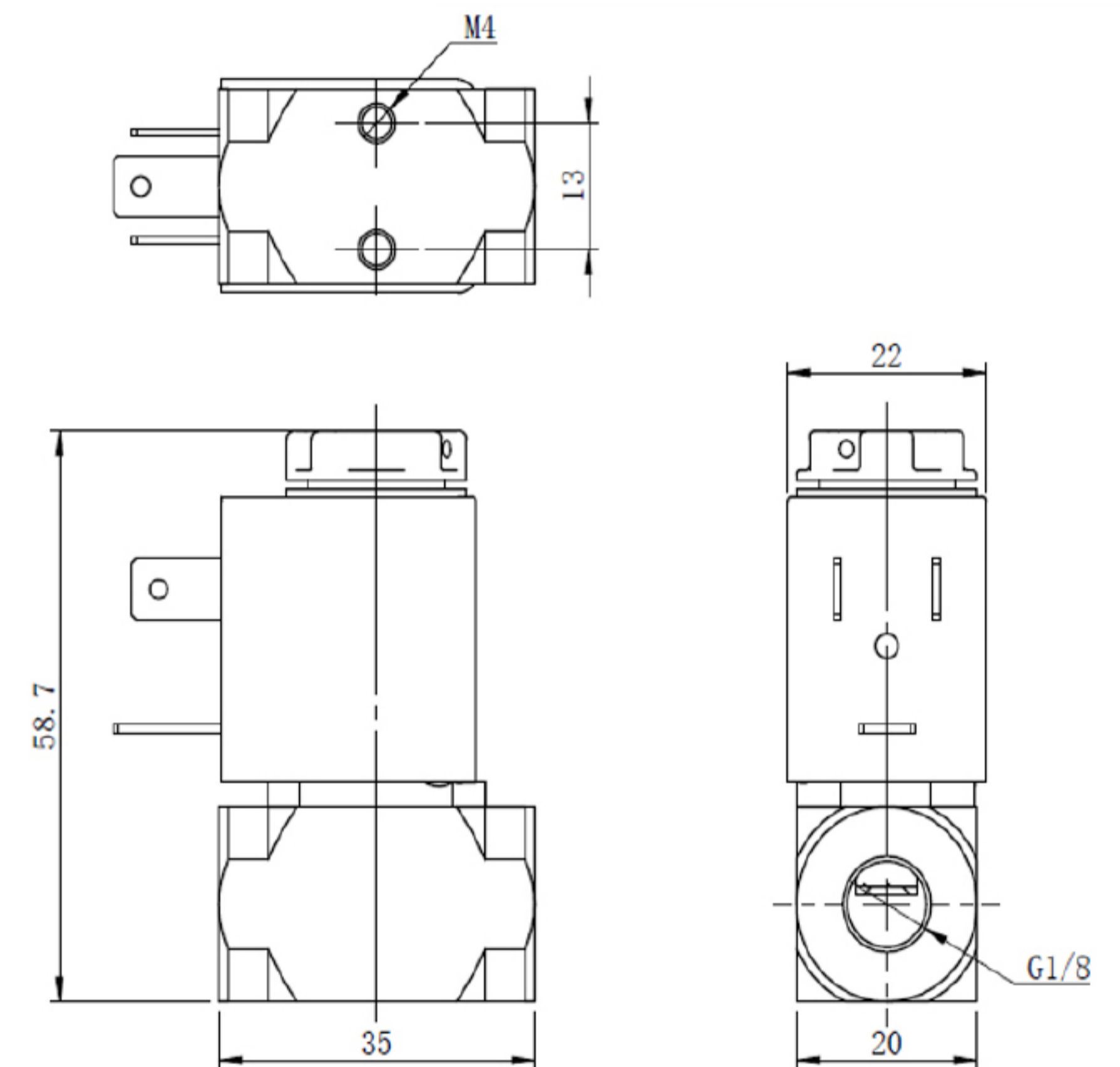
Flow specification can be customized



Graphic symbols



Dimension



Specifications

Model	FEL-BLF01-1.6G-F05
Fluid	Air or oxygen filtered through a 40 micron filter
Valve function	Two-position two-way
Pressure	0 - 0.4 MPa
Stress resistant	0.5 MPa
Flow characteristics	45 L/min@2.5 bar
Current	0 ~ 250 mA (DC12V)
Environment and fluid temperature	-5 ~ +80 °C (but not frozen)
Hysteresis	10% F.S.
Repeatability	3% F.S.
Material of main parts	Viton, brass

Flow characteristics

