

### 產品特點 Features

◇這是一種可調節真空吸入流量的單級真空產生器，適用於顆粒狀物體或小碎片吸入並排出。

This is an adjustable flow rate single stage vacuum pump. The design of this pump enables particles and small debris to pass directly through the pump.

### 技術規格 Specifications

最大真空度	Max.vacuum level	-84kPa
最大真空流量	Max.vacuum flow rate	3390l/m
供氣壓力	Air supply pressure	4-6bar 最大7bar 4-6bar Max.7bar
供氣類型	Air supply type	乾燥的壓縮空氣 Dry Compressed air

### 訂購碼 How to Order

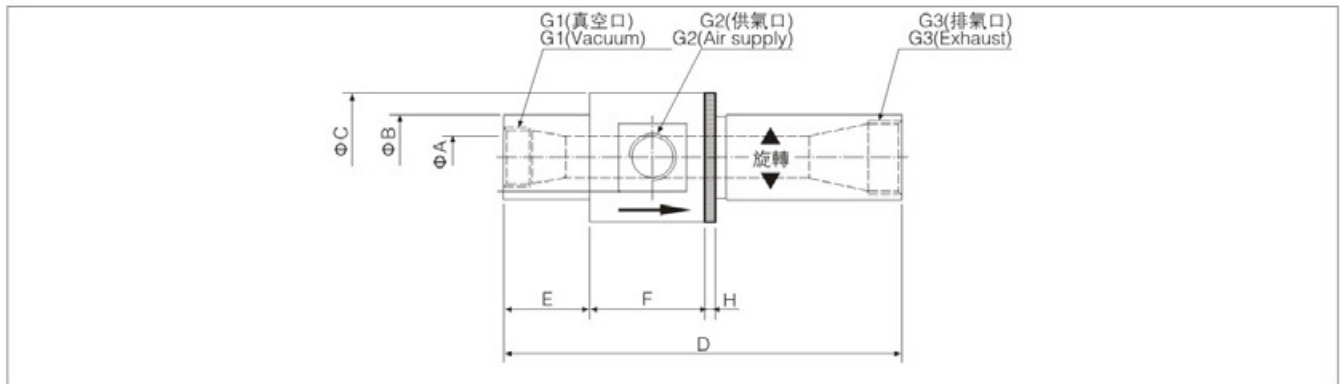
#### FACP 250 - AL

① 規格 Specification

250	500
375	750

② 材料 Material

AL-鋁	AL-Aluminum
SS-不銹鋼	SS-Stainless steel



型號 Model	尺寸規格 Dimension									
	ΦA	ΦB	ΦC	D	E	F	H	G1	G2	G3
FACP250	6.5	19	32	94-105	22	32	5	G1/4	G1/8	G1/4
FACP375	9.5	25	45	155-165	38	45	5	G1/2	G3/8	G1/2
FACP500	13	32	51	155-160	38	51	5	G1/2	G3/8	G3/4
FACP750	19	38	58	175-189	38	51	5	G3/4	G1/2	G1

型號 Model	供氣壓力 Air supply pressure	FACP系列不同真空度(-kPa)的耗氣量(l/m) FACP series Air Consumption(L/m) at different vacuum levels(-kPa)				
	bar	17	34	50	68	84
FACP250	5.5	112	169	233	276	342
FACP375		176	327	485	595	825
FACP500		340	625	795	940	1280
FACP750		650	875	1250	1790	2550

型號 Model	FACP系列不同真空度(-kPa)的真空流量(l/m) FACP series Vacuum flow(L/m) at different Vacuum levels(-kPa)				
	17	34	50	68	84
FACP250	280	240	200	162	125
FACP375	846	735	620	520	395
FACP500	1695	1325	1130	990	650
FACP750	3390	2460	1970	1440	1130