



產品特點 Features

- ◇ 塑料外殼，重量輕、體積小
Plastic housing optimized for minimum weight and size
- ◇ 螺紋連接
Connections with thread holes
- ◇ 開口式消聲器
Open type silencer

應用 Applications

- ◇ 用於進料系統中
Use in feeder systems
- ◇ 搬運電子元器件
Handling of electronic components
- ◇ 用於和金屬加工過程中分離工件的作業
Use in separation systems for plastic and sheet-metal machining
- ◇ 真空產生器組件結構，可控制單獨分散的吸盤
Construction of ejector blocks for decentralized individual control of suction pads

技術規格 Specifications

型號 Model	噴嘴直徑 Nozzle diameter (mm)	真空度 Vacuum level (-kPa)	最大真空流量 Max. vacuum flow [l/min]	空氣消耗量 Air consumpt. during evac. [l/min]*	吸取物件時噪音等級 Noise level workp. gripped [db(A)]
FSBP 10 SDA	1.0	-85	38	50	59
FSBP 15 SDA	1.5	-85	72	110	65

*長度為不超過2m

型號 Model	空閑時噪音等級 Noise level free [db(A)]	工作壓力 Operating pressure [bar]	建議壓縮空氣軟管內徑mm Recomm. int. tube diameter compr. air [mm]*	建議真空軟管內徑mm Recomm. int. tube diameter vacuum [mm]*	重量g Weight [g]*	工作溫度 Operating temperature [°C]
FSBP 10 SDA	65	4.5	4	6	22.0	0 - 60
FSBP 15 SDA	72	4.5	4	6	22.0	0 - 60

*長度為不超過2m
*For max. length 2m

訂購碼 How to Order

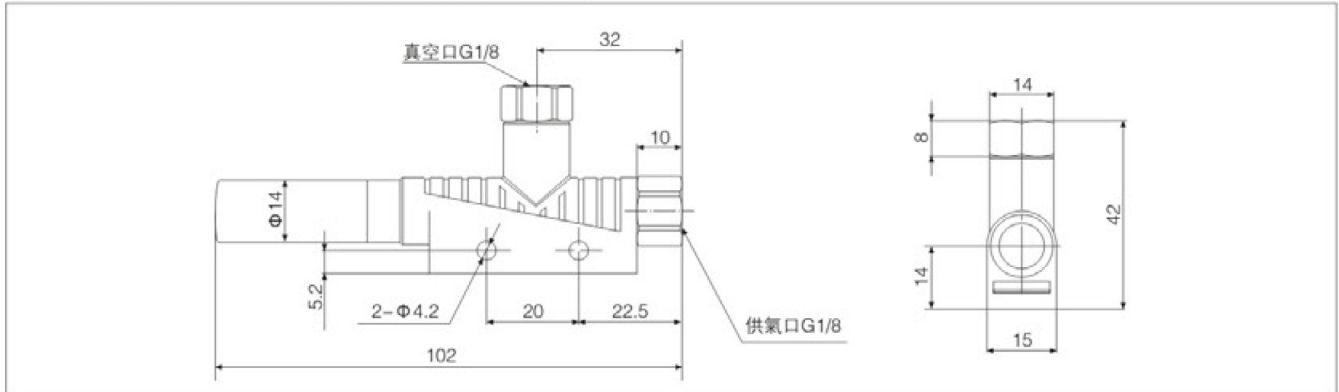
FSBP 15 G2 SDA

① 噴嘴直徑 Nozzle Size		②		③	
10	φ 1.0	螺紋孔 Thread hole	G2(見右表) G2(see the table)	空白Blank	無記號Nil
15	φ 1.5			SDA	帶軸向消聲器 With axial silencer

• 連接螺紋 Connection Thread

型號 Model	連接：快換連接/螺紋連接 Connection: quick-action push-in coupling/Thread hole	
	SUP	VAC
FSBP 10 G2	G1/8	G1/8
FSBP 15 G2		

外形尺寸 (mm) Dimensions (mm)



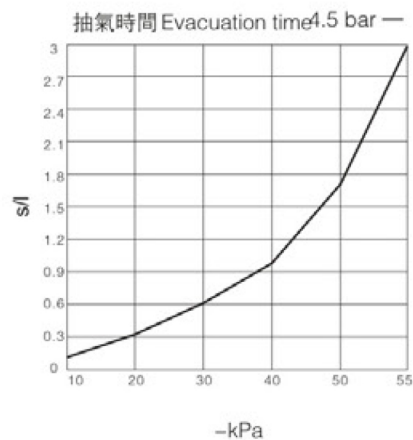
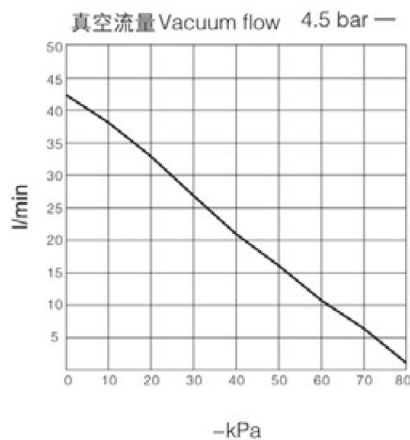
不同真空度(-kPa)的真空流量(l/min) Vacuum flow (l/min) at different vacuum levels(-kPa)

型號 Model	-kPa	供氣壓力 Air supply pressure	空氣消耗量 Air consumption	0	10	20	30	40	50	60	70	80	最大真空度 Max.vacuum level
FSBP10	4.5 bar	50 l/min	38	30	26	23	18.6	16	11	7	1.8	-85kPa	
FSBP15			110 l/min	72	60	52	44	36	30	24	15.5		2.2

不同真空度(-kPa)的抽氣時間(s/l) Evacuation time (s/l) to reach different vacuum levels(-kPa)

型號 Model	-kPa	供氣壓力 Air supply pressure	空氣消耗量 Air consumption	10	20	30	40	50	60	70	最大真空度 Max.vacuum level
FSBP10	4.5 bar	50 l/min	0.123	0.323	0.6	1	1.72	3	—	-85kPa	
FSBP15			110 l/min	0.06	0.18	0.32	0.52	0.81	1.32		2.7

• FSBP10



• FSBP15

