



## 產品特點 Features

- ◇ 過濾從進氣口吸入的灰塵和其他雜質
  - ◇ 減少真空泵運行中斷或運行停止的危險
  - ◇ 可拆換的過濾元件
  - ◇ 可用特殊濾芯提高過濾面積
- ☆ To filter dust and other small particles from the vacuum flow.
  - ☆ Reduces the risk of operation breakdown or stoppage in the pump.
  - ☆ Replaceable filter element.
  - ☆ Available with special filter element with increased filter area.

## 技術規格 Specifications

|                            |                 | FVF-10     | FVF-15 | FVF-20 | FVF-25 | FVF-40 |
|----------------------------|-----------------|------------|--------|--------|--------|--------|
| 壓力範圍<br>Pressure range     | bar             | -1~0bar    |        |        |        |        |
| 材質<br>Material             |                 | PA, PC, PE |        |        |        |        |
| 溫度範圍<br>Temperature range  | °C              | -20~80     |        |        |        |        |
| 過濾精度<br>Removal efficiency | μm              | 10         |        |        |        |        |
| 重量<br>Weight               | g               | 70         | 168    | 170    | 424    | 550    |
| 公稱流量<br>Flow nominal       | l/m             | 150        | 900    | 900    | 2520   | 5100   |
| 內部真空量<br>Volume internal   | cm <sup>3</sup> | 45         | 195    | 205    | 495    | 675    |
| 過濾面積<br>Filter area        | m <sup>2</sup>  | 0.003      | 0.010  | 0.010  | 0.019  | 0.023  |

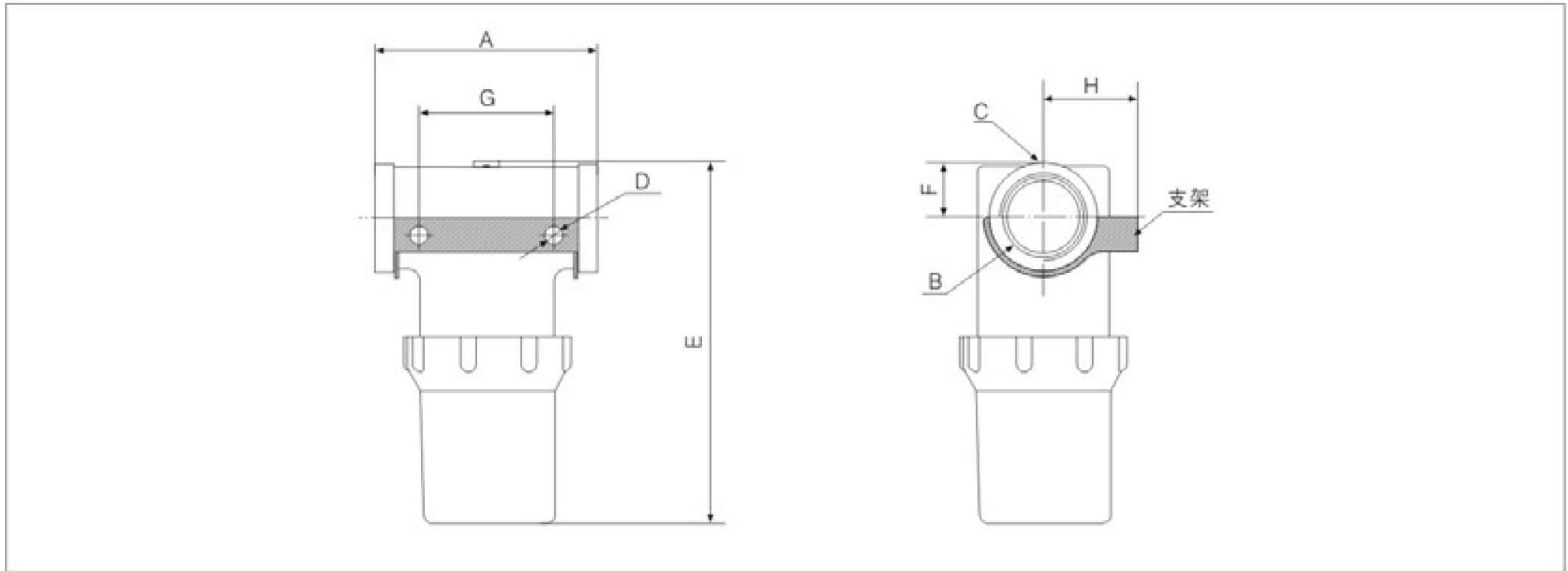
## 訂購碼 How to Order

### FVF - 10

①

| ① 型號 Model |         |
|------------|---------|
| FVF-10     | G3/8"   |
| FVF-15     | G1/2"   |
| FVF-20     | G3/4"   |
| FVF-25     | G1"     |
| FVF-40     | G1 1/2" |

## 外形尺寸(mm) Dimensions (mm)



| 型號<br>Model | FVF10   | FVF15   | FVF20   | FVF25   | FVF40     |
|-------------|---------|---------|---------|---------|-----------|
| A           | 76      | 91      | 91      | 126     | 126       |
| B           | 2-G3/8" | 2-G1/2" | 2-G3/4" | 2-G1"   | 2-G1 1/2" |
| C           | NPSF1/8 | NPSF1/8 | NPSF1/8 | NPSF1/8 | NPSF1/8   |
| D           | 2-Φ6.5  | 2-Φ8.5  | 2-Φ8.5  | 2-Φ10.5 | 2-Φ10.5   |
| E           | 71.3    | 131.5   | 138.5   | 167     | 209.5     |
| F           | 14      | 16      | 18.5    | 23      | 31        |
| G           | 45      | 50      | 50      | 80      | 80        |
| H           | 27      | 40      | 40      | 56      | 56        |

## 訂購碼 How to Order

### FVF - 10 ①

#### ① 型號 Model

|        |             |
|--------|-------------|
| FVF-10 | 3/8"        |
| FVF-20 | 1/2" & 3/4" |
| FVF-25 | 1"          |
| FVF-40 | 1 1/2"      |

備注：可選濾芯1/2" & 3/4"(特殊)、濾芯 1 1/2"(特殊) (過濾精度5 μm和80 μm)

Remarks: Filter element 1/2" & 3/4"(special), 1 1/2"(special) are optional. Their removal efficiency is 5 μm and 80 μm

## 濾芯規格 Technical data of filter element

|                            |                | FVF-10 | FVF-20 | FVF-25 | FVF-40 |
|----------------------------|----------------|--------|--------|--------|--------|
| 重量<br>Weight               | g              | 7      | 26     | 50     | 74     |
| 過濾面積<br>Filter area        | m <sup>2</sup> | 0.003  | 0.010  | 0.019  | 0.023  |
| 過濾精度<br>Removal efficiency | μm             | 10     | 10     | 10     | 10     |