

產品特點 Features

- ◇此系列真空產生器是直通設計，在輸送物料時無堵塞且無需維護，適用於輸送顆粒、粉末及塊狀物體等。這些產生器有不同規格孔徑，最高流量孔徑可達38mm。
- ☆The vacuum pump has a straight through design, hence they are non-clogging and maintenance free, and it is particular for transferring particles, powders. High flow can be achieved with in line bore sizes up to 38mm.

技術規格 Specifications

最大真空度Max.vacuum Level	-35kPa
最大真空流量Max.vacuum flow rate	5610l/m
供氣壓力Air supply pressure	4-6bar 最大7bar 4-6bar Max.7bar
供氣類型Air supply type	乾燥的壓縮空氣 Dry Compressed air



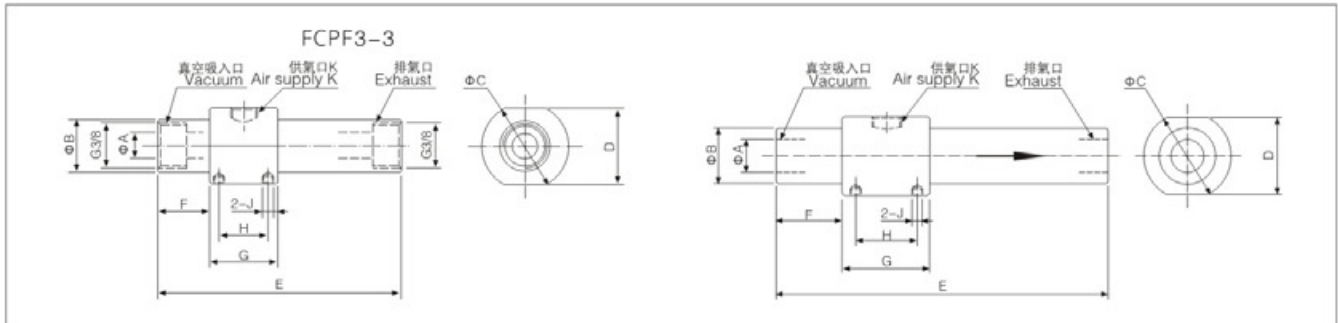
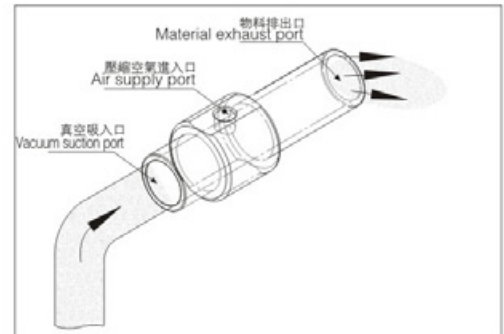
訂購碼 How to Order

FCPF 2-3 - AL

① 規格 Model		② 材料 Material	
2-3	7-6	AL-鋁 AL-Aluminum	
3-3	15-3	SS-不銹鋼 SS-Stainless steel	
5-6	15-6		

應用事例 Applications

- ◇真空輸送物料
- ◇清除各種造紙及原料加工邊線
- ◇輸送小麥、玉米等穀物
- ◇輸送洗衣粉和塑料粉
- ◇去除鑽孔工序中的碎屑
- ◇去除發動機配件等研磨工序中的粉末
- ☆ Transferring materials
- ☆ Seledge removal intrimming operation
- ☆ Convy wheat, corn
- ☆ Transfer powder detergent and plastic powder
- ☆ Chip removal in drilling operation
- ☆ Powder removal in grinding operation



型號 Model	尺寸規格 Dimension									
	ΦA	ΦB	ΦC	D	E	F	G	H	J	K
FCPF2-3	6.5	18.5	32	30	89	19	25	18	M4	G1/8
FCPF3-3	9.5	18.5	32	30	89	19	25	18	M4	G1/8
FCPF5-6	12.5	24	38	34	140	25.5	32	23	M4	G1/4
FCPF7-6	19	32	50	45	190	38	50	35	M6	G3/8
FCPF15-3	38	49.6	69	65	205	40	60	42	M6	G3/8
FCPF15-6	38	49.6	69	65	205	40	60	42	M6	G3/8

FCPF系列真空流量(l/m)、真空度(-kPa)、耗氣量(l/m) FCPF Series Vacuum flow(L/m)、Vacuum level(-kPa)、Air Consumption(L/m)

型號 Model	空氣速度 Air velocity	真空流量 Vacuum flow	真空度 Vacuum level	空氣消耗量(l/m) Air consumption(l/m)	
	ft/s	l/m	-kPa	2.8bar	5.5bar
FCPF2-3	485	295	26	85	160
FCPF3-3	328	425	16	95	170
FCPF5-6	361	870	35	395	680
FCPF7-6	325	1825	28	790	1365
FCPF15-3	223	4400	9	405	695
FCPF15-6	270	5610	9	790	1365