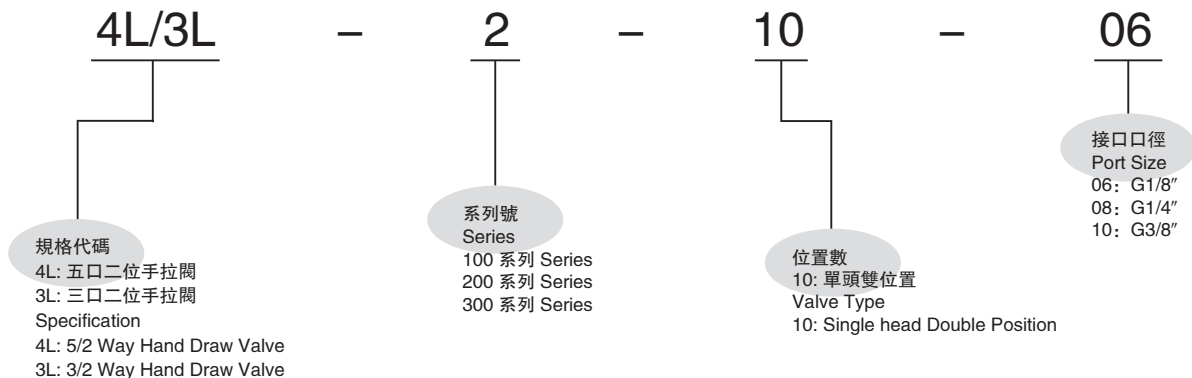




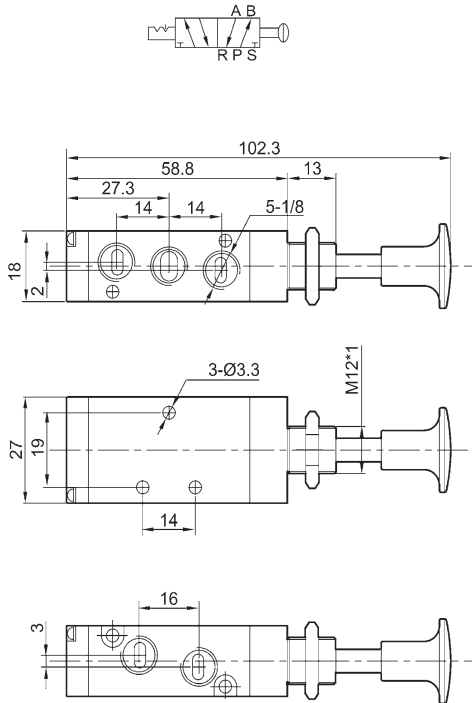
訂購代碼 Ordering Code



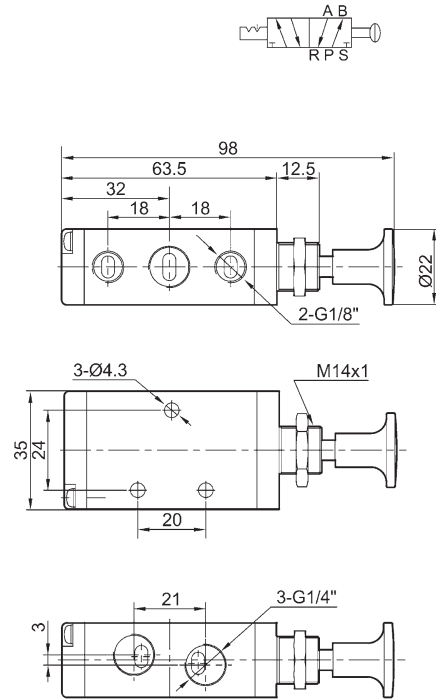
規格 Specification

型號 Model	4L110-06	4L210-06	4L210-08	3L210-06	3L110-06	4L310-08	4L310-10	3L310-08	3L310-10
工作介質 Working Medium	經 40 微米過濾的空氣 40 Micron Filtered Air								
接管口徑 Port Size	進氣 = 出氣 = 排氣 Inlet, Outlet, Exhaust Port = G1/8"		進氣 = 出氣 Inlet, Outlet = G1/4" 排氣 Exhaust Port = G1/8"	進氣 = 出氣 = 排氣 Inlet, Outlet, Exhaust Port = G1/8"	進氣 = 出氣 = 排氣 Inlet, Outlet, Exhaust Port = G1/4"	進氣 = 出氣 = 排氣 Inlet, Outlet, Exhaust Port = G1/4"	進氣 = 出氣 Inlet, Outlet = G3/8" 排氣 Exhaust Port = G1/4"	進氣 = 出氣 = 排氣 Inlet, Outlet, Exhaust Port = G1/4"	進氣 = 出氣 = 排氣 Inlet, Outlet, Exhaust Port = G3/8"
有效截面積 Effective Cross Section Area	10mm ² (CV=0.56)	14mm ² (CV=0.78)	16mm ² (CV=0.89)	14mm ² (CV=0.78)	16mm ² (CV=0.89)	25mm ² (CV=1.40)	30mm ² (CV=1.68)	25mm ² (CV=1.40)	30mm ² (CV=1.68)
使用壓力範圍 Working Pressure	0 ~ 0.8MPa								
使用溫度範圍 Working Temperature	0 ~ 60℃								
位置數 Position Number	五口二位 5/2 way			三口二位 3/2 way		五口二位 5/2 way		三口二位 3/2 way	

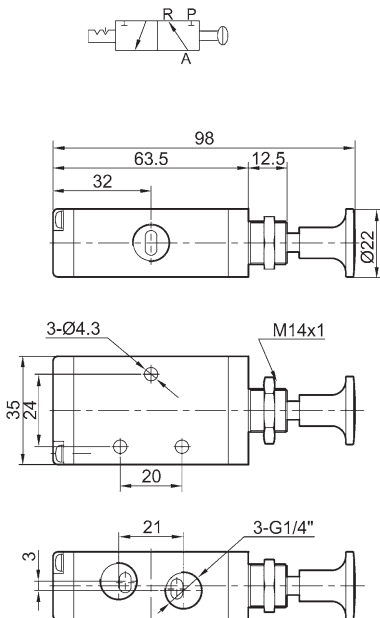
4L110-06



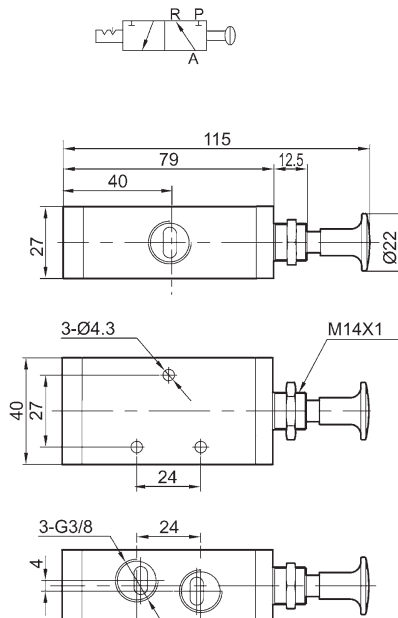
4L210-08



3L210-08



3L310-10



4L310-10

