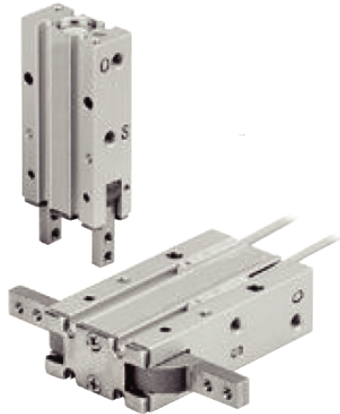


180° Angular Type Air Gripper FHY2



Advantages

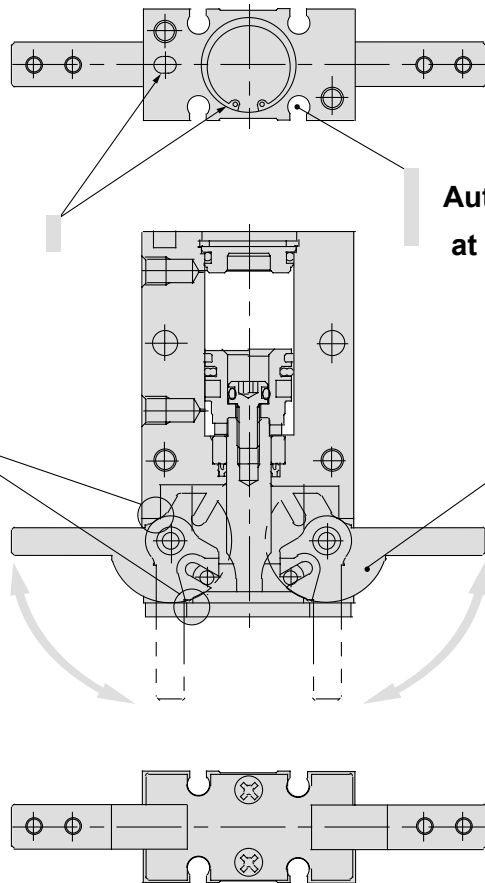
- *180° angular clamping type.
- *Dustproof construction. Seal arrangement protects gripper from harsh dusty environments.
- *Stainless steel fingers are standard.
- *Mounting surfaces are free to choose as your requirements.
- *Two dowelholes to improve mounting repeatability.

Improved mounting repeatability

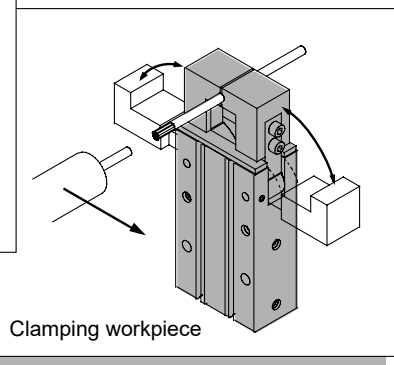
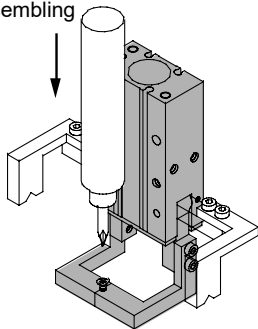
Auto switch mounting
 at 4 locations

Resistance to dusty environments.
 Reduced opening sizes helps prevent
 foreign objects from entering.

Stainless steel fingers
 are standard



Assembling



Clamping workpiece

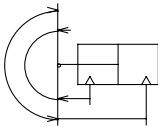
Model	Bore size (mm)	Gripping moment (N·m) *	Over length L (mm)	Weight (g)
FHY2-10D	10	0.16	71	70
FHY2-16D	16	0.54	84	150
FHY2-20D	20	1.10	106	320
FHY2-25D	25	2.28	131	560

* At the pressure of 0.5MPa

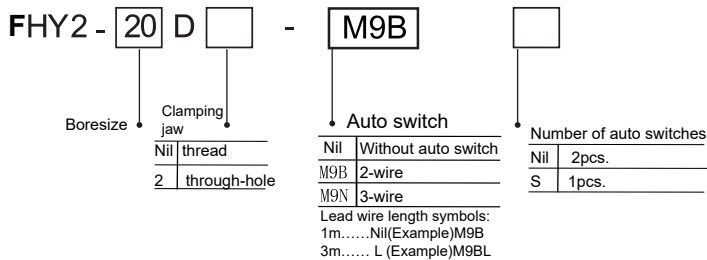
FHY2 Series (φ 10-φ 25) / Cam Type



Symbol



How to Order



Specifications

Model	FHY2-10D	FHY2-16D	FHY2-20D	FHY2-25D
Action	Double acting			
Fluid	Air			
Max. operating pressure (MPa){kgf/cm ² }	0.6{6.1}			
Min. operating pressure (MPa){kgf/cm ² }	0.15{1.5}	0.1{1.0}		
Ambient and fluid temperature	-10~60°C (with no condensation)			
Max. operating frequency (c.p.m)	60			
Repeatability (mm)	±0.2			
注1) Holding power (N){kgf}	0.16{1.6}	0.54{5.5}	1.10{11.2}	2.28{23.3}
Weight (g)	70	150	320	560
注2) Lubrication	不需要			
Piping size	M5 x 0.8			

Note) At the pressure of 0.5MPa(kgf/cm²).

How to order

1) Need bore size 16mm.

Model No. FHY2-16D

2) Need bore size 25mm and auto switch.

Model No. FHY2-25D SW-M9B

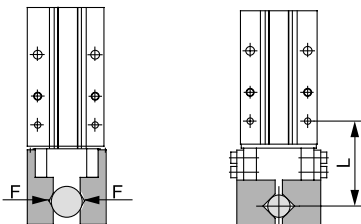
One cylinder with 2 auto switches.

Effective Gripping Force

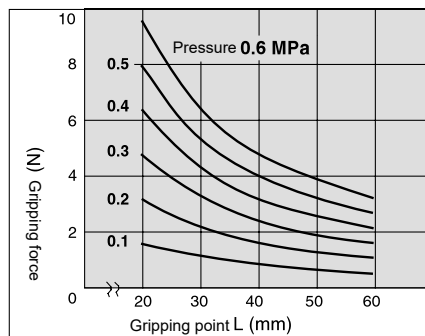
Double acting of FHY2 series.

The gripping force shown in the graphs represents the gripping force of one finger when all fingers and attachments are in contact with the work.

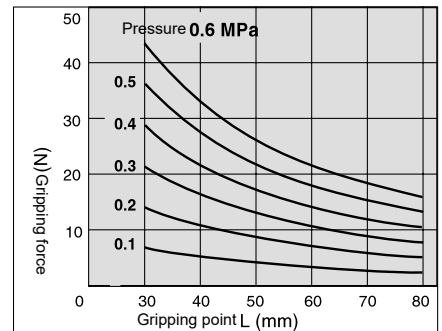
F=one finger thrust.



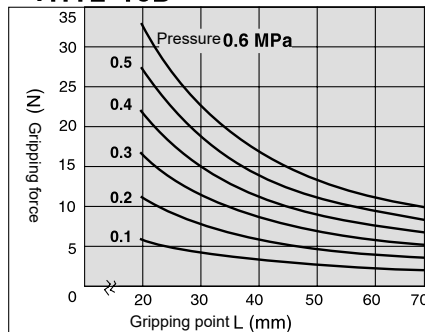
FHY2-10D



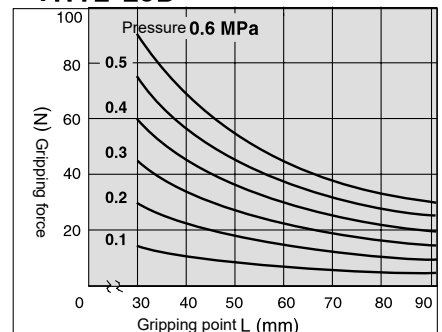
FHY2-20D



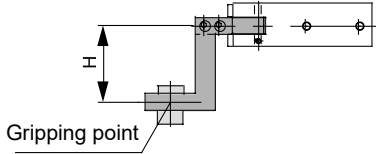
FHY2-16D



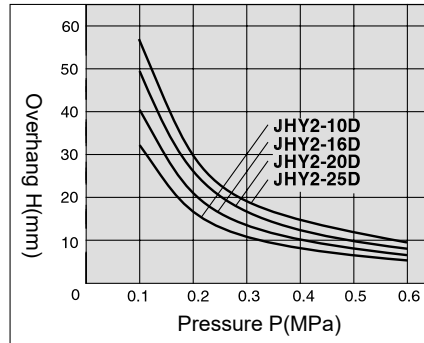
FHY2-25D



Gripping Point

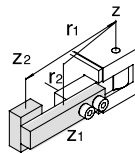
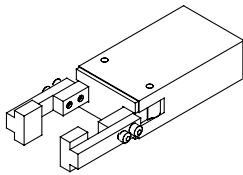


FHY2

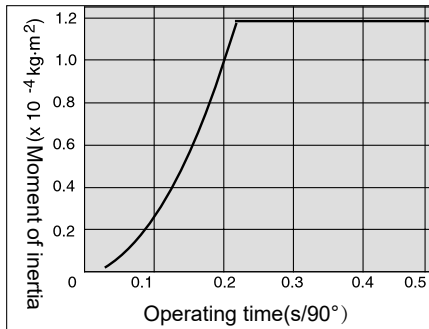


The workpiece gripping force distance should be within the gripping force range given for each pressure in the effective gripping force graphs below. If operated with the workpiece gripping point beyond the indicated ranges, the load that will be applied to the fingers or the guide will become excessively unbalanced. As a result, the fingers could become loosened and adversely affect the service life of the unit.

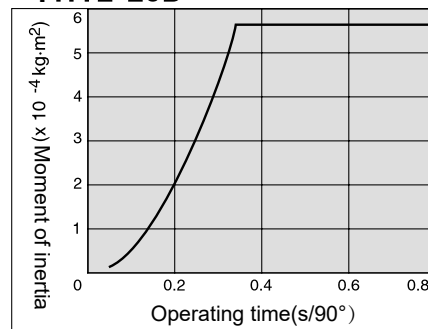
When the workpiece is clamped by the air gripper attachment, the process of air gripper clamping is the process of rotating the gripper around the pin shaft. The air gripper has a great rotating function during the process of gripper clamping which shortens the service life of the product, if the moment of inertia of attachment is too strong. The moment of inertia of attachment could be calculated by SolidWorks, pro/e and UG. Allowable range of moment of inertia of attachment.



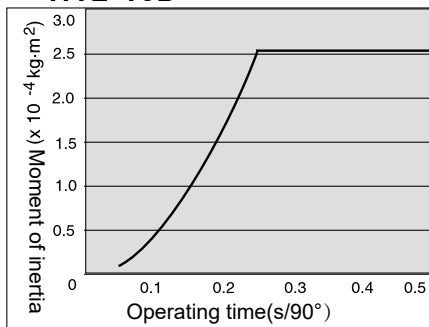
FHY2-10D



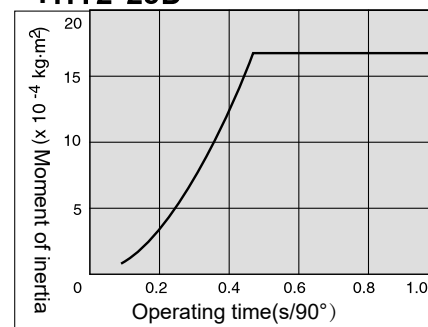
FHY2-20D

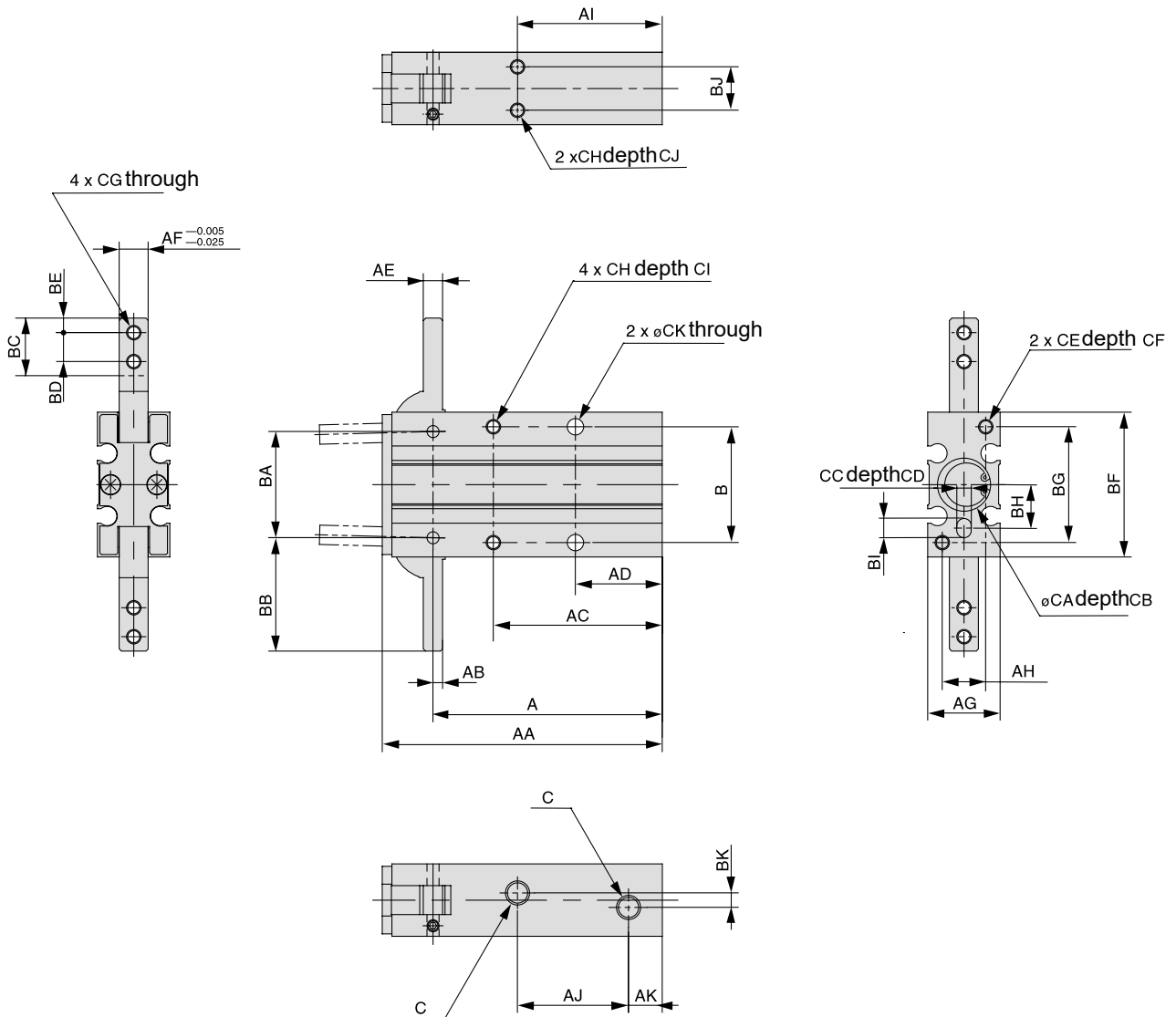


FHY2-16D



FHY2-25D





FHY2-D

(mm)

Bore size	A	AA	AB	AC	AD	AE	AF	AG	AH	AI	AJ	AK	B	BA	BC	BD	BE	BF	BG	BH	BI	BJ	BK	C	CA
10	47.5	58	2	35	18	4	6	15	9	30	23	7	24	22	12	6	3	30	24	9	4	9	3	M5X0.8	11 ^{+0.043} ₀
16	55.5	69	2.5	41	20	5	8	20	12	33	25	7	30	28	14	7	4	38	30	15	4	12	8	M5X0.8	17 ^{+0.043} ₀
20	69	86	4	50	25	8	10	26	16	42	32	8	36	36	18	9	5	48	38	19	5	14	12	M5X0.8	21 ^{+0.052} ₀
25	86	107	5	60	30	10	12	30	18	50	42	8	42	45	22.5	12	6	58	46	23	5	16	14	M5X0.8	26 ^{+0.052} ₀

(mm)

Bore size	CB	CC	CD	CE	CF	CG	CH	CI	CJ	CK
10	1.5	3 ^{+0.043} ₀	3	M3X0.5	6	M3X0.5	M3X0.5	6	4	3.4
16	1.5	3 ^{+0.043} ₀	3	M4X0.7	8	M3X0.5	M4X0.7	8	5	4.5
20	1.5	4 ^{+0.043} ₀	4	M5X0.8	10	M4X0.7	M5X0.8	10	8	5.5
25	1.5	4 ^{+0.043} ₀	4	M6X1	12	M5X0.8	M6X1	12	10	6.6

FHY2-D2

(mm)

Bore size	CG
10	3.4
16	3.4
20	4.5
25	5.5

Please refer to the table above for other sizes.