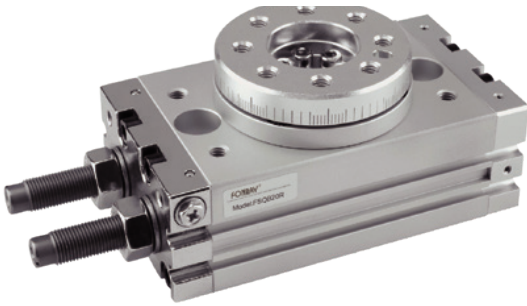


# Rotary Table/ Rack&Pinion Style FSQB Series

Size: 10、20、30、50、70、100

## Specifications

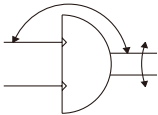


Size	10	20	30	50	70	100
Fluid						
Max. operating pressure	With adjusting screw	1MPa				
	with internal absorber	0.6MPa <sup>Note1)</sup>				
Min. operating pressure	with adjustment bolt	0.1MPa				
	with internal absorber					
Ambient&fluid temperature	0 ~ 60°C					
Cushion	with adjusting screw	Cushion				
	with internal absorber	hydraulic buffer				
	Absorber model	AC0806SNS	AC1007SN	AC1412SN	AC2015SN	
Angle Adjustment Range	0 ~ 190° <sup>Note2)</sup>					
Max. Swing Angle	190°					
Bore size	15	18	20	25	28	32
port size	Top	M5 x 0.8		Rc 1/8		
	Side	M5 x 0.8				

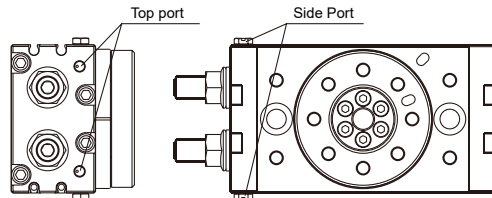
Note 1: The maximum allowable thrust of the buffer determines the maximum operating pressure of the actuator

Note 2: When setting the swing angle with internal buffer, Port size if it is less than the value in the table below, the effective stroke of the piston becomes smaller and the kinetic energy absorption capacity decreases

GB Symbol



Size	10	20	30	50	70	100
Minimum swing angle with kinetic energy absorption capacity not lower than	63°	50°	47°	66°	71°	62°



## How to order

FSQB 10 A — M9B □

Bore Size

10	70
20	100
30	
50	

A	with adjustment Bolt
R	With internal absorber

Number of Auto Switch

Nil	2 pcs
S	1 pcs
n	n pcs

Auto Switch Type

Nil	Without Auto Switch(built-in magnet)
M9B	2wire Contactless Auto Switch
M9N	3 wire Contactless Auto Switch

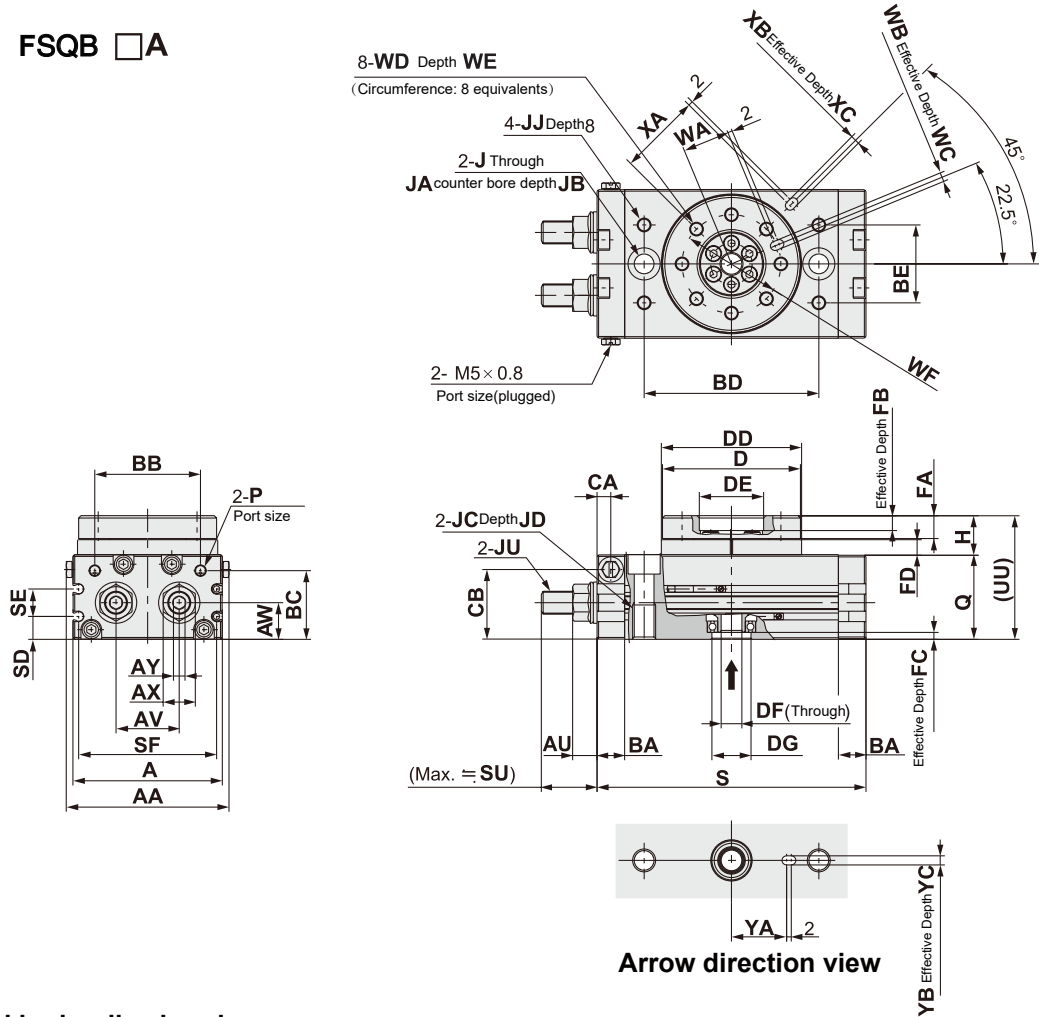
Note: standard length is 2m , if you need 1m ,3m or 5m ,please refer to Auto switch series .

With adjustment bolt & internal absorber

Bore size	Adjustment angle per rotation of angle adjustment screw
10	10.2°
20	7.2°
30	6.5°
50	8.2°
70	7.0°
100	6.1°

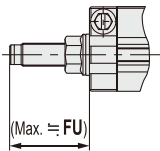
### Dimensions/Size: 10, 20, 30, 50

#### Basic/ FSQB □A



#### With internal hydraulic absorber

#### FSQB □R



Size	FU
10	31.5
20	34.7
30	34.7
50	51.7

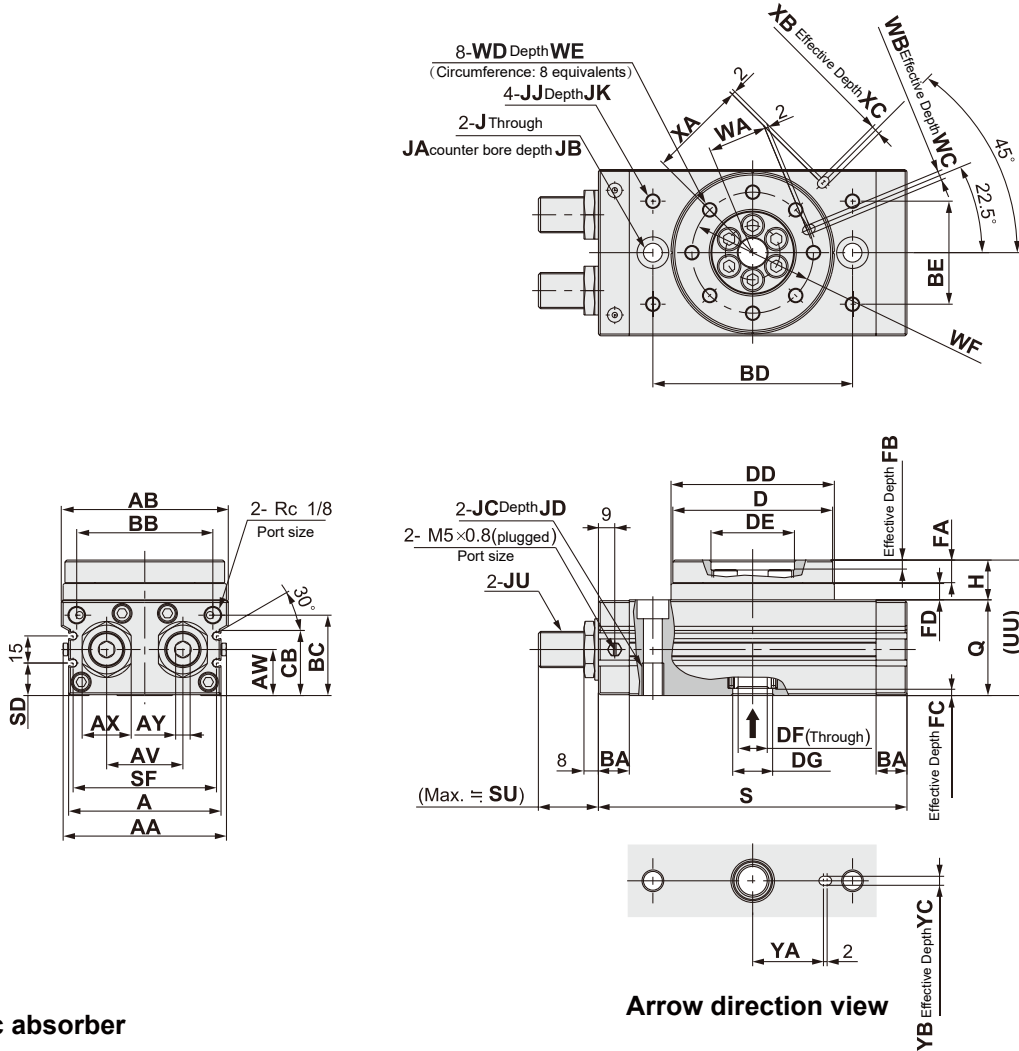
Size	DH	DI	DJ	DK	DL	FE	HA	UV
10	45h8	46h8	20H8	5	15H8	10	18.5	52.5
20	60h8	61h8	28H8	9	17H8	15.5	26	63
30	65h8	67h8	32H8	9	22H8	16.5	27	67
50	75h8	77h8	35H8	10	26H8	17.5	30	76

Size	AA	A	AU	AV	AW	AX	AY	BA	BB	BC	BD	BE	CA	CB	D	DD	DE	DF	DG	FA	FB	FC	FD	H	J	JA	JB
10	55.4	50	8.6	20	15.5	12	4	9.5	34.5	27.8	60	27	4.5	28.5	45h9	46h9	20H9	4	15H9	8	4	3	4.5	13	6.8	11	6.5
20	70.8	65	10.6	27.5	16	14	5	12	46	30	76	34	6	30.5	60h9	61h9	28H9	9	17H9	10	6	2.5	6.5	17	8.6	14	8.5
30	75.4	70	10.6	29	18.5	14	5	12	50	32	84	37	6.5	33.5	65h9	67h9	32H9	12	22H9	10	4.5	3	6.5	17	8.6	14	8.5
50	85.4	80	14	38	22	19	6	15.5	63	37.5	100	50	10	37.5	75h9	77h9	35H9	10	26H9	12	5	3	7.5	20	10.5	18	10.5

Size	JC	JD	JJ	JU	P	Q	S	SD	SE	SF	SU	UU	WA	WB	WC	WD	WE	WF	XA	XB	XC	YA	YB	YC
10	M8 x 1.25	12	M5 x 0.8	M8 x 1	M5 x 0.8	34	92	9	13	45	17.7	47	15	3H9	3.5	M5 x 0.8	8	32	27	3H9	3.5	19	3H9	3.5
20	M10 x 1.5	15	M6 x 1	M10 x 1	M5 x 0.8	37	117	10	12	60	25	54	20.5	4H9	4.5	M6 x 1	10	43	36	4H9	4.5	24	4H9	4.5
30	M10 x 1.5	15	M6 x 1	M10 x 1	Rc 1/8	40	127	11.5	14	65	25	57	23	4H9	4.5	M6 x 1	10	48	39	4H9	4.5	28	4H9	4.5
50	M12 x 1.75	18	M8 x 1.25	M14 x 1.5	Rc 1/8	46	152	14.5	15	75	31.4	66	26.5	5H9	5.5	M8 x 1.25	12	55	45	5H9	5.5	33	5H9	5.5

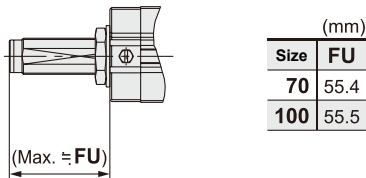
Dimensions/Size: 70, 100

### Basic/ FSQB□A



### With hydraulic absorber

### FSQB□R



(mm)																										
Size	AA	AB	A	AV	AW	AX	AY	BA	BB	BC	BD	BE	CB	D	DD	DE	DF	DG	FA	FB	FC	FD	H	J	JA	JB
70	90	92	84	42	25.5	27	8	17	75	44.5	110	57	36	88h9	90h9	46H9	16	22H9	12.5	5	3.5	9	22	10.4	17.5	10.5
100	101	102	95	50	29.5	27	8	17	85	50.5	130	66	42	98h9	100h9	56H9	19	24H9	14.5	6	3.5	12	27	10.4	17.5	10.5

(mm)																							
Size	JC	JD	JJ	JK	JU	Q	S	SD	SF	SU	UU	WA	WB	WC	WD	WE	WF	XA	XB	XC	YA	YB	YC
70	M12 x 1.75	18	M8 x 1.25	10	M20 x 1.5	53	170	18	79	34.2	75	32.5	5H9	5.5	M8 x 1.25	12.5	67	54	5H9	3.5	39	5H9	3.5
100	M12 x 1.75	18	M8 x 1.25	10	M20 x 1.5	59	189	22	90	34.3	86	37.5	6H9	6.5	M10 x 1.5	14.5	77	59	6H9	4.5	49	6H9	4.5